

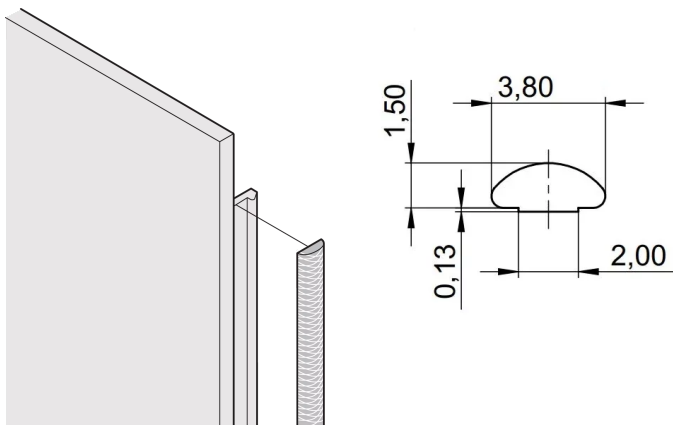
# Front Panel EMC Textile Shielding Kit, - 40...+70°C, 3 U, 10 Pieces

## Power Utilities

### CATALOG NUMBER

---

**21101-853**



The textile EMC gaskets are inserted into a slot on the right hand side of the U-shaped front panels. The gaskets are glued to the front panel.

### CERTIFICATIONS

---



### FEATURES

---

Textile EMC gasket is affixed laterally on the front panel or in the groove of the right-hand profile as appropriate.

Profile seal is bonded onto the contact surface of the 19" bracket or of the rear angle and sets up the conductive connection to the U-shaped front panels

Temperature range -40 °C ... +70 °C

## PRODUCT ATTRIBUTES

---

Product Type: Shielding Kit

Product Family: EuropacPRO; RatiopacPRO; RatiopacPRO AIR; PropacPRO; Frame Type Plug-In Unit

Rack Height: 3 U

Package Quantity: 10

## ADDITIONAL PRODUCT DETAILS

---

EMC gaskets (textile) are required for shielding the front panels.

## WARNING

---

nVent products shall be installed and used only as indicated in nVent's product instruction sheets and training materials. Instruction sheets are available at [www.nvent.com](http://www.nvent.com) and from your nVent customer service representative. Improper installation, misuse, misapplication or other failure to completely follow nVent's instructions and warnings may cause product malfunction, property damage, serious bodily injury and death and/or void your warranty.



Our powerful portfolio of brands:

**CADDY ERICO HOFFMAN ILSCO SCHROFF TRACHTE**