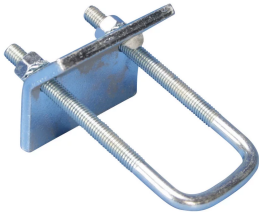


C-Channel Beam Clamp with U-Bolt



FEATURES

Beam clamp for C-Profiles

Complete with plate, U-bolt and fixings

SPECIFICATIONS

Finish: Electrogalvanized

Material: Steel

Table 1/2

Catalog Number	Article Number	Channel Type	Rod Size (RS)	Flange Thickness (FT)	Width (W)	Thickness (T)
BCE03	585120	E0L, E0, E1, E2L, E2, E3	6	16 mm Max	60 mm	4 mm
BCE4	585110	E4, E5	8	16 mm Max	70 mm	6 mm

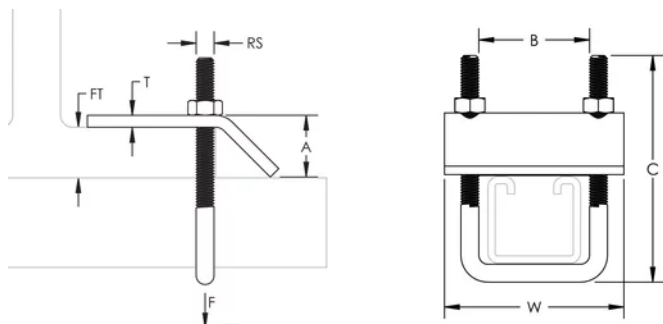
Table 2/2

Catalog Number	Article Number	A	B	C	Static Load
BCE03	585120	20 mm	36 mm	70 mm	1250N
BCE4	585110	24 mm	39 mm	100 mm	2400N

ADDITIONAL PRODUCT DETAILS

Static Load is dependent on channel type and length.

DIAGRAMS



WARNING

nVent products shall be installed and used only as indicated in nVent's product instruction sheets and training materials. Instruction sheets are available at www.nvent.com and from your nVent customer service representative. Improper installation, misuse, misapplication or other failure to completely follow nVent's instructions and warnings may cause product malfunction, property damage, serious bodily injury and death and/or void your warranty.

North America

+1.800.753.9221

Option 1 – Customer Care

Option 2 – Technical

Support

Europe

Netherlands:

+31 800-0200135

France:

+33 800 901 793

Europe

Germany:

800 1890272

Other Countries:

+31 13 5835404

APAC

Shanghai:

+ 86 21 2412 1618/19

Sydney:

+61 2 9751 8500



Our powerful portfolio of brands:

CADDY

ERICO

HOFFMAN

ILSCO

SCHROFF

TRACHTE

