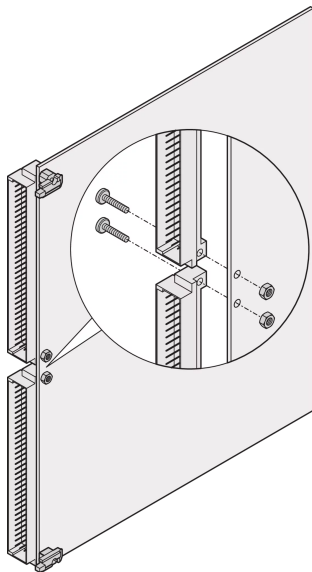


Frame Type Plug-In Unit Connector to PCB Mounting Kit, Center

CATALOG NUMBER

24812-600



Connector mounting kit onto PCB, for mounting of DIN connectors in the center of 6 U PCBs.

CERTIFICATIONS



FEATURES

Connector mounting kit onto PCB, for mounting of DIN connectors in the center of 6 U PCBs

PRODUCT ATTRIBUTES

Product Type: Mounting Kit

Works With: Cassettes

Material: Steel

Rack Height: 6U

Package Quantity: 10

Finish: Nickel Plated

WARNING

nVent products shall be installed and used only as indicated in nVent's product instruction sheets and training materials. Instruction sheets are available at www.nvent.com and from your nVent customer service representative. Improper installation, misuse, misapplication or other failure to completely follow nVent's instructions and warnings may cause product malfunction, property damage, serious bodily injury and death and/or void your warranty.

North America

All locations
+1.763.422.2661
Chat with us:
nvent.com/schroff

Europe

Straubenhardt, Germany
+49.7082.794.0
Betschdorf, France
+33.3.88.90.64.90
Warsaw, Poland
+48.22.209.98.35
Assago, Italy
+39.02.932.7141
Chat with us:
nvent.com/schroff

Asia

Shanghai, China
+86.21.2412.6943
Qingdao, China
+86.532.8771.6101
Singapore
+65.6768.5800
Shin-Yokohama, Japan
+81.45.476.0271
Chat with us:
nvent.com/schroff

Middle East & India

Dubai, United Arab
Emirates
+971.4.378.1700
Bangalore, India
+91.80.6715.2001
Istanbul, Turkey
+90.216.250.7374
Chat with us:
nvent.com/schroff



Our powerful portfolio of brands:

CADDY ERICO HOFFMAN ILSCO SCHROFF TRACHTE