

Adhesive Cable Fastener

Power Utilities



FEATURES

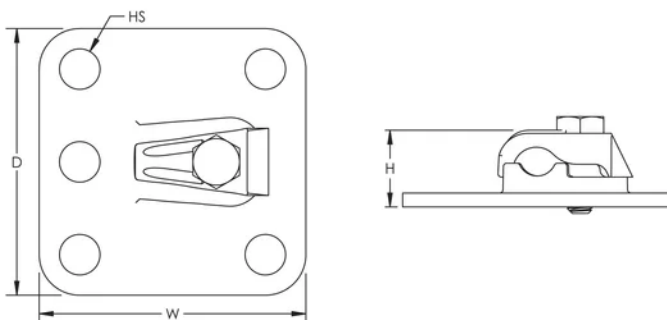
Flat cable holder for use with hot pitch, roofing compound or commercial adhesive on built-up roof surfaces or other location where holes cannot be made for anchoring cable

SPECIFICATIONS

Table 1/1

Catalog Number	Conductor Size, UL	Height (H)	Width (W)	Unit Weight
LPA809	Class 1 - Class 2 (4/0 Max)	22.86 mm	63.500 mm	0.045 kg

DIAGRAMS



WARNING

nVent products shall be installed and used only as indicated in nVent's product instruction sheets and training materials. Instruction sheets are available at www.nvent.com and from your nVent customer service representative. Improper installation, misuse, misapplication or other failure to completely follow nVent's instructions and warnings may cause product malfunction, property damage, serious bodily injury and death and/or void your warranty.



Our powerful portfolio of brands:

CADDY ERICO HOFFMAN ILSCO SCHROFF TRACHTE