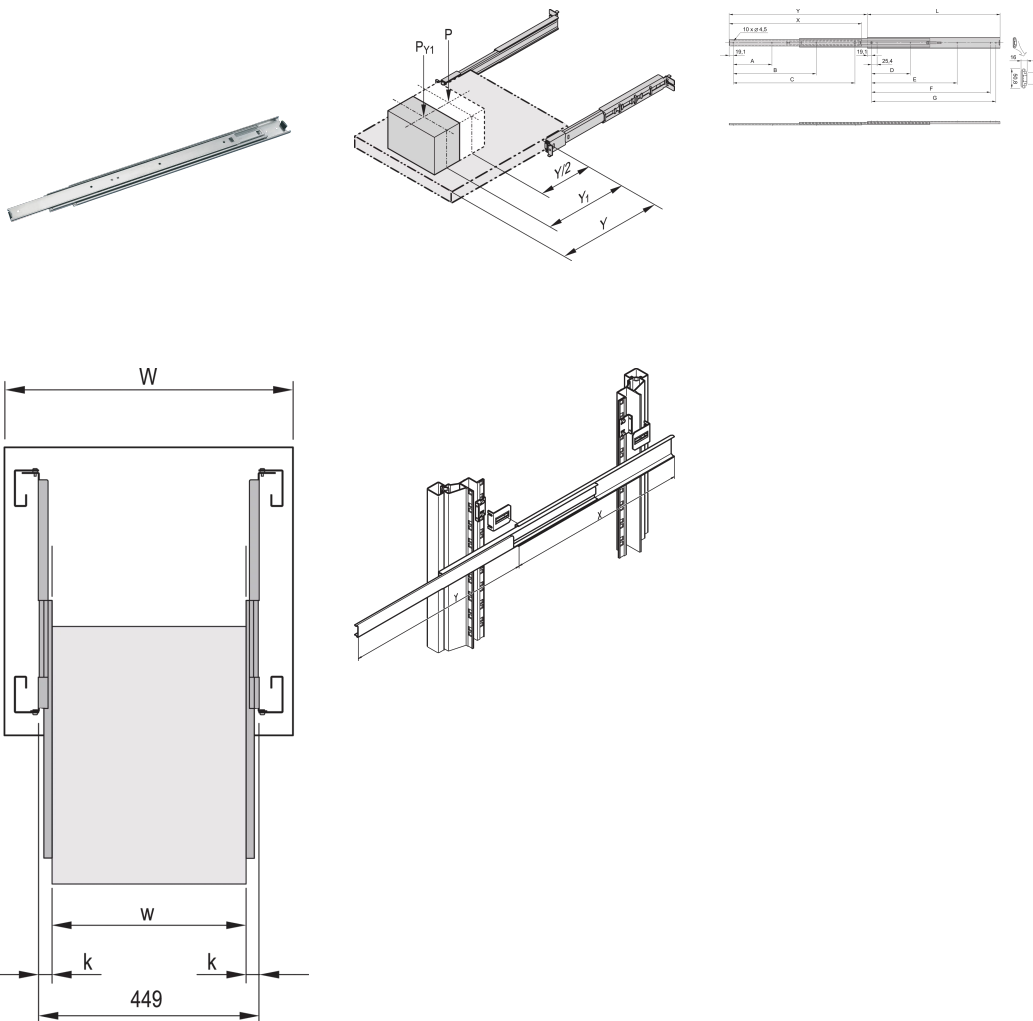


# Telescopic Slide Universal, 2 U, 2 U 356L

CATALOG NUMBER

20110-101



Universal Telescopic Slide with > 100 % extension and up to 61 kg load capacity.

CERTIFICATIONS



## FEATURES

Rail width k = 16 mm, max. installation width of extension/drawer w = 417 mm

Lateral mounting on the 19" uprights (19" plane remains free for fixing of the extension/drawer)

Locking at full extension

Extension length > 100 %

Static load-carrying capacity per pair 46 - 61 kg

## PRODUCT ATTRIBUTES

Length: 356mm

Package Quantity: 2

Finish: Zinc Plated

Material: Steel

Product Type: Telescopic Slide

Static Load: 60kg

Type: Universal

Net Weight: 1.625kg

## ADDITIONAL PRODUCT DETAILS

To mount on 19" plane please order assembly kit separately. Universal telescopic Rails can also be fitted without additional components in non-standard applications, thus also in other than 19" cabinets.

## WARNING

nVent products shall be installed and used only as indicated in nVent's product instruction sheets and training materials. Instruction sheets are available at [www.nvent.com](http://www.nvent.com) and from your nVent customer service representative. Improper installation, misuse, misapplication or other failure to completely follow nVent's instructions and warnings may cause

### North America

All locations  
+1.763.422.2661  
Chat with us:  
[nvent.com/schroff](http://nvent.com/schroff)

### Europe

Straubenhardt, Germany  
+49.7082.794.0  
Betschdorf, France  
+33.3.88.90.64.90  
Warsaw, Poland  
+48.22.209.98.35  
Assago, Italy  
+39.02.932.7141  
Chat with us:  
[nvent.com/schroff](http://nvent.com/schroff)

### Asia

Shanghai, China  
+86.21.2412.6943  
Qingdao, China  
+86.532.8771.6101  
Singapore  
+65.6768.5800  
Shin-Yokohama, Japan  
+81.45.476.0271  
Chat with us:  
[nvent.com/schroff](http://nvent.com/schroff)

### Middle East & India

Dubai, United Arab  
Emirates  
+971.4.378.1700  
Bangalore, India  
+91.80.6715.2001  
Istanbul, Turkey  
+90.216.250.7374  
Chat with us:  
[nvent.com/schroff](http://nvent.com/schroff)



Our powerful portfolio of brands:

**CADDY ERICO HOFFMAN ILSCO SCHROFF TRACHTE**