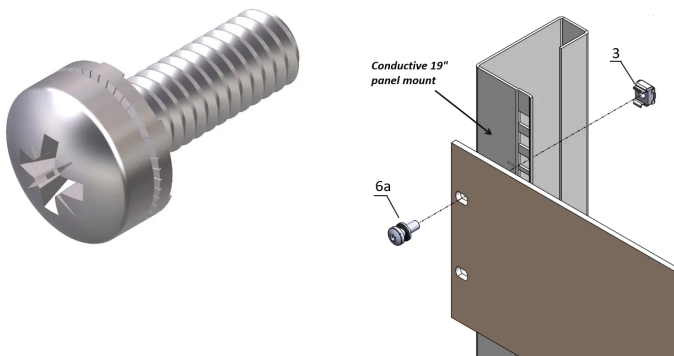


Screw With Captive Nomel Washer, Pozidriv, M6 x 16, Steel Zinc-plated, 100 Pieces

CATALOG NUMBER

21120-203



Panhead Screw, Pozidrive.

FEATURES

Panhead screw, pozidrive

PRODUCT ATTRIBUTES

Diameter: 6mm

Length: 16mm

Finish: Zinc Plated

Package Quantity: 100

Thread Size: M6

Material: Steel

Product Type: Screw

Type: Panhead Screw

Works With: Front Panels; Eurorack; Novastar; Varistar; Varistar CP

Gross Weight: 0.656kg

WARNING

nVent products shall be installed and used only as indicated in nVent's product instruction sheets and training materials. Instruction sheets are available at www.nvent.com and from your nVent customer service representative. Improper installation, misuse, misapplication or other failure to completely follow nVent's instructions and warnings may cause product malfunction, property damage, serious bodily injury and death and/or void your warranty.

North America

All locations
+1.763.422.2661
Chat with us:
nvent.com/schroff

Europe

Straubenhardt, Germany
+49.7082.794.0
Betschdorf, France
+33.3.88.90.64.90
Warsaw, Poland
+48.22.209.98.35
Assago, Italy
+39.02.932.7141
Chat with us:
nvent.com/schroff

Asia

Shanghai, China
+86.21.2412.6943
Qingdao, China
+86.532.8771.6101
Singapore
+65.6768.5800
Shin-Yokohama, Japan
+81.45.476.0271
Chat with us:
nvent.com/schroff

Middle East & India

Dubai, United Arab Emirates
+971.4.378.1700
Bangalore, India
+91.80.6715.2001
Istanbul, Turkey
+90.216.250.7374
Chat with us:
nvent.com/schroff



Our powerful portfolio of brands:

CADDY ERICO HOFFMAN ILSCO SCHROFF TRACHTE