

# Industrial Stack Base with Stud, Horizontal Cable Run



## CERTIFICATIONS



## FEATURES

Cast air terminal base for use with horizontal conductor runs

Welded threaded stud for use with expansion anchors

## SPECIFICATIONS

**Material:** Brass  
**Conductor Size, UL:** Class 2 (4/0 Max)

Table 1/2

Catalog Number	Finish	Thread Size 1 (TS1)	Thread Size 2 (TS2)	Thread Length (TL)	Depth (D)	Height (H)
LPC435SH	Bare	5/8" UNC	1/2" UNC	22.22mm	25.4mm	100 mm
LPC435LG	Bare	5/8" UNC	1/2" UNC	38.1mm	25.4mm	100 mm

CatalogNumber	Finish	Thread Size 1 (TS1)	Thread Size 2 (TS2)	Thread Length (TL)	Depth (D)	Height (H)
LPLC435SH	Lead Covered	5/8" UNC	1/2" UNC	22.22mm	25.4mm	100 mm
LPLC435LG	Lead Covered	5/8" UNC	1/2" UNC	38.1mm	25.4mm	100 mm

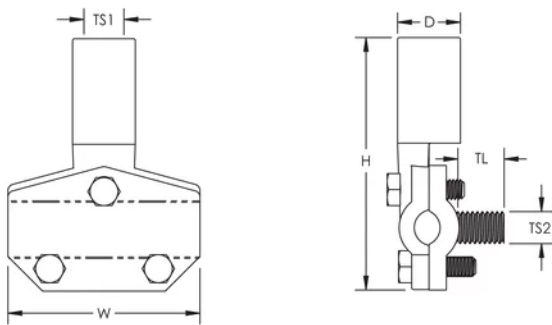
Table 2/2

Catalog Number	Width (W)	Unit Weight	Certifications
LPC435SH	76.2 mm	0.54 kg	E202878-Combined_CoC, E202878-Combined_CoC
LPC435LG	76.2 mm	0.54 kg	E202878-Combined_CoC, E202878-Combined_CoC
LPLC435SH	76.2 mm	1.21 kg	
LPLC435LG	76.2 mm	1.21 kg	

## ADDITIONAL PRODUCT DETAILS

Where applicable, lead covering thickness is a minimum of 1/16" (1.59 mm) and is not included in the stated dimensions.

## DIAGRAMS



## WARNING

nVent products shall be installed and used only as indicated in nVent's product instruction sheets and training materials. Instruction sheets are available at [www.nvent.com](http://www.nvent.com) and from your nVent customer service representative. Improper installation, misuse, misapplication or other failure to completely follow nVent's instructions and warnings may cause product malfunction, property damage, serious bodily injury and death and/or void your warranty.

⚠ WARNING: This product can expose you to chemicals including lead, which is known to the State of California to cause cancer and birth defects or other reproductive harm. For more information go to [www.P65Warnings.ca.gov](http://www.P65Warnings.ca.gov).

**North America**

+1.800.753.9221

Option 1 – Customer Care

Option 2 – Technical

Support

**Europe**

Netherlands:

+31 800-0200135

France:

+33 800 901 793

**Europe**

Germany:

800 1890272

Other Countries:

+31 13 5835404

**APAC**

Shanghai:

+ 86 21 2412 1618/19

Sydney:

+61 2 9751 8500



Our powerful portfolio of brands:

**CADDY**

**ERICO**

**HOFFMAN**

**ILSCO**

**SCHROFF**

**TRACHTE**