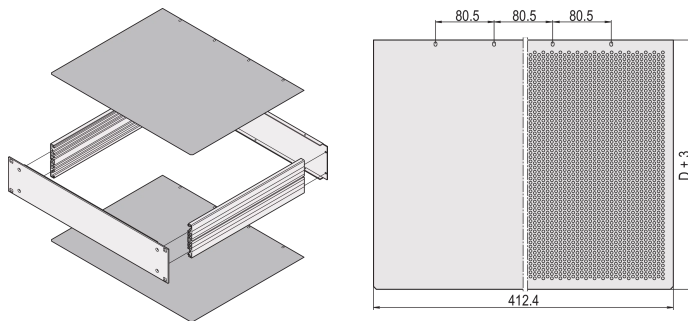


# MultipacPRO Cover Plate, Plain, Depth 280 mm

## Power Utilities

### CATALOG NUMBER

**30860-502**



Cover plates plain will close the 19" chassis on top and bottom side. They protect the chassis from parts that could fall into the chassis.

### CERTIFICATIONS



### FEATURES

Plain cover plates can be used as either top or base plates; inserted into base structure

### PRODUCT ATTRIBUTES

Product Type: Cover Plate

Product Family: MultipacPRO

Type: Plain

Depth: 280 mm

Package Quantity: 1

## ADDITIONAL PRODUCT DETAILS

---

Please order EMC gasketing kit separately.

## WARNING

---

nVent products shall be installed and used only as indicated in nVent's product instruction sheets and training materials. Instruction sheets are available at [www.nvent.com](http://www.nvent.com) and from your nVent customer service representative. Improper installation, misuse, misapplication or other failure to completely follow nVent's instructions and warnings may cause product malfunction, property damage, serious bodily injury and death and/or void your warranty.



Our powerful portfolio of brands:

**CADDY   ERICO   HOFFMAN   ILSCO   SCHROFF   TRACHTE**