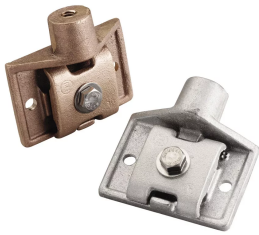


Air Terminal Base, Vertical Mount, Imperial Thread

Power Utilities



FEATURES

For use on vertical surfaces

Accommodates vertical or horizontal cable runs

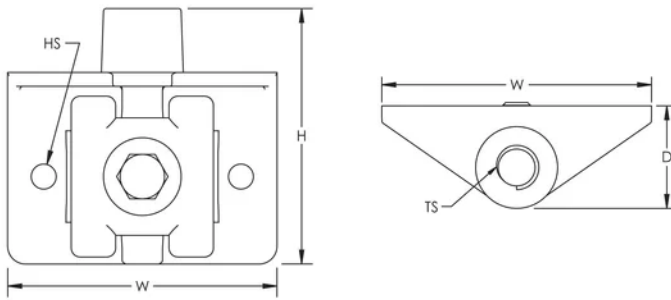
For positive bolt tension cable clamping

SPECIFICATIONS

Table 1/1

Catalog Number	Conductor Size, UL	Height (H)	Width (W)	Unit Weight
LPA31812	Class 1 - Class 2 (4/0 Max)	73.03 mm	77 mm	0.127 kg

DIAGRAMS



WARNING

nVent products shall be installed and used only as indicated in nVent's product instruction sheets and training materials. Instruction sheets are available at www.nvent.com and from your nVent customer service representative. Improper installation, misuse, misapplication or other failure to completely follow nVent's instructions and warnings may cause product malfunction, property damage, serious bodily injury and death and/or void your warranty.



Our powerful portfolio of brands:

CADDY ERICO HOFFMAN ILSCO SCHROFF TRACHTE