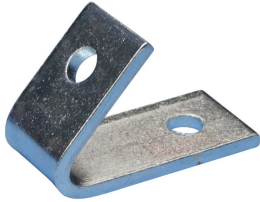


# 1-1 Hole Closed Corner Angle Bracket



## FEATURES

Used to create metal frames with nVent CADDY Eristrut channels

## SPECIFICATIONS

**Finish:** Hot-Dip Galvanized

**Material:** Steel

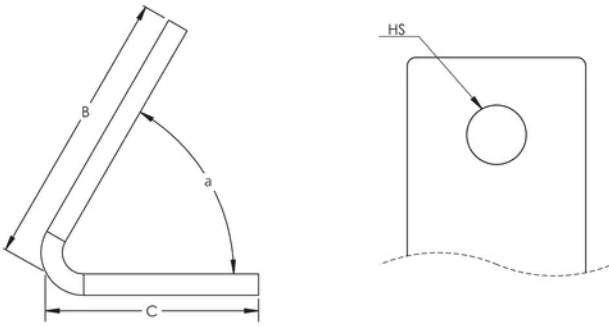
Table 1/2

Catalog Number	Article Number	Angle (a)	B	C	Hole Size (HS)	Thickness (T)
ZWA219A45	387920	45 °	100 mm	67 mm	14	6
ZW219A45	313640	45 °	100 mm	67 mm	14	6

Table 2/2

Catalog Number	Article Number	Screw Included	Screw Diameter (Sc)	Screw Length (L)
ZWA219A45	387920	No		
ZW219A45	313640	Yes	10	25mm

## DIAGRAMS



## WARNING

nVent products shall be installed and used only as indicated in nVent's product instruction sheets and training materials. Instruction sheets are available at [www.nvent.com](http://www.nvent.com) and from your nVent customer service representative. Improper installation, misuse, misapplication or other failure to completely follow nVent's instructions and warnings may cause product malfunction, property damage, serious bodily injury and death and/or void your warranty.

### North America

+1.800.753.9221  
Option 1 – Customer Care  
Option 2 – Technical  
Support

### Europe

Netherlands:  
+31 800-0200135  
France:  
+33 800 901 793

### Europe

Germany:  
800 1890272  
Other Countries:  
+31 13 5835404

### APAC

Shanghai:  
+ 86 21 2412 1618/19  
Sydney:  
+61 2 9751 8500



Our powerful portfolio of brands:

**CADDY ERICO HOFFMAN ILSCO SCHROFF TRACHTE**

