

SBLL-500 Lug-to-Lug Power Terminal



CERTIFICATIONS



FEATURES

Tinned copper block allows for copper or aluminum conductor connections

Accessible studs allow for easy connection of sections of nVent ERIFLEX Flexibar or other conductors

Design allows for visual inspection of conductor and confirmation of connection

Adjustable transparent cover

Modular snap-together blocks for building multi-pole power blocks

Easily clips onto DIN rail or mounts to panel with screws

SBLEC Power Terminals Fixing Accessory required for direct panel mount

RoHS compliant

Halogen free

SPECIFICATIONS

Catalog Number	SBLL-500
Article Number	561134
Material	Copper Thermoplastic

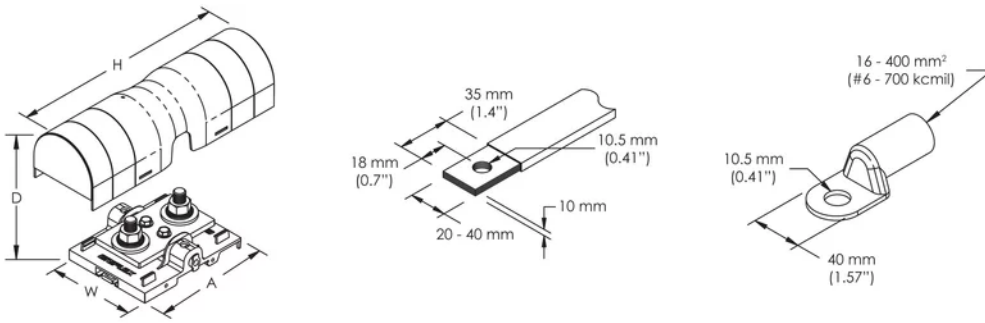
Catalog Number	SBLL-500
Finish	Tinned
Max Current Rating, IEC	750A
Max Current Rating, UL/CSA	475A
Short Term Withstand Current (Icw) 1s	36kA
Peak Short Circuit Current (Ipk)	51kA
Short Circuit Current Rating (SCCR)	100kA
Max Working Voltage, IEC (Ui)	1000 1500
Max Working Voltage, UL (Vin)	1000
Number of Stud Connections	2
Stud Connection Conductor Width	20 – 40 mm
Stud Connection Compact Stranded Wire Size	16 – 400 mm ²
Stud Connection Wire Size	#6 - 700 kcmil
Depth (D)	65mm
Height (H)	205.7 mm
Width (W)	85.1 mm
A	108 mm
Unit Weight	0.34 kg
Certification Details	UL® 1059
Flammability Rating	UL® 94V-1
Complies With	IEC® 60947-7-1

ADDITIONAL PRODUCT DETAILS

Power terminal connections are interchangeable and can be used as line side or load side connections.

Design Guideline for Distribution Blocks, Power Blocks and Power Terminals										
Derating according to Ambient* Temperature (°C) to maintain working temperature of 85°C										
Ambient Temperature (°C)	30°	35°	40°	45°	50°	55°	60°	65°	70°	75°
Derating Coefficient (d)	1	1	1	0.94	0.88	0.82	0.75	0.67	0.58	0.47
*environment around the terminal blocks inside the enclosure										

DIAGRAMS



WARNING

nVent products shall be installed and used only as indicated in nVent's product instruction sheets and training materials. Instruction sheets are available at www.nvent.com and from your nVent customer service representative. Improper installation, misuse, misapplication or other failure to completely follow nVent's instructions and warnings may cause product malfunction, property damage, serious bodily injury and death and/or void your warranty.

North America

+1.800.753.9221
Option 1 – Customer Care
Option 2 – Technical
Support

Europe

Netherlands:
+31 800-0200135
France:
+33 800 901 793

Europe

Germany:
800 1890272
Other Countries:
+31 13 5835404

APAC

Shanghai:
+ 86 21 2412 1618/19
Sydney:
+61 2 9751 8500



Our powerful portfolio of brands:

CADDY ERICO HOFFMAN ILSCO SCHROFF TRACHTE