

Adhesive Cable Fastener



FEATURES

Flat cable holder for use with hot pitch, roofing compound or commercial adhesive on built-up roof surfaces or other location where holes cannot be made for anchoring cable

SPECIFICATIONS

Conductor Size, UL: Class 1 - Class 2 (4/0 Max)

Table 1/2

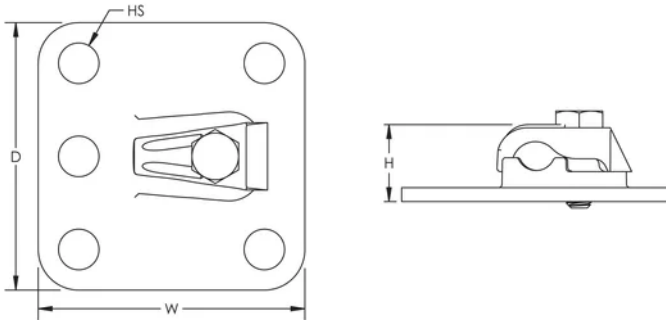
Catalog Number	Article Number	Material	Finish	Depth (D)	Height (H)	Width (W)
LPA809		Aluminum		63.5mm	22.86 mm	63.5 mm
LPC809L		Copper	Tinned	63.5mm	22.86 mm	63.5 mm
LPC809	701973	Copper		63.5mm	22.86 mm	63.5 mm

Table 2/2

Catalog Number	Article Number	Hole Size (HS)	Unit Weight
LPA809		9.65 mm	0.04 kg
LPC809L		9.65 mm	0.11 kg

Catalog Number	Article Number	Hole Size (HS)	Unit Weight
LPC809	701973	9.65 mm	0.11 kg

DIAGRAMS



WARNING

nVent products shall be installed and used only as indicated in nVent's product instruction sheets and training materials. Instruction sheets are available at www.nvent.com and from your nVent customer service representative. Improper installation, misuse, misapplication or other failure to completely follow nVent's instructions and warnings may cause product malfunction, property damage, serious bodily injury and death and/or void your warranty.

North America

+1.800.753.9221
Option 1 – Customer Care
Option 2 – Technical
Support

Europe

Netherlands:
+31 800-0200135
France:
+33 800 901 793

Europe

Germany:
800 1890272
Other Countries:
+31 13 5835404

APAC

Shanghai:
+ 86 21 2412 1618/19
Sydney:
+61 2 9751 8500



Our powerful portfolio of brands:

CADDY ERICO HOFFMAN ILSCO SCHROFF TRACHTE