

nVent CADDY Macrofix Non-Insulated Ventilation Duct Clamp



CERTIFICATIONS



VLASTNOSTI

Complete hanger assembly comes out of the box ready to install (sizes up to 600 mm)

Increased opening angle easily accommodates all standard-sized spiral ducts (sizes up to 600 mm)

Quick locking system prevents the hanger from accidentally opening when duct is moved or adjusted (sizes up to 600 mm)

Quick locking system easily closes with one hand (sizes up to 600 mm)

Thread impression retains quick locking captive screw and prevents it from falling out during installation

Combo head bolt works with slotted, hex, or Phillips drivers

Longer ears position the screw farther from the hanger, improving tool clearance when the screw is tightened

Combination nut can be attached to M8 or M10 threaded rod, simplifying material handling

SPECIFIKACE

Povrchová úprava: Electrogalvanized

Materiál: Ocel

Temperature: -50 to 110 °C

Table 1/2

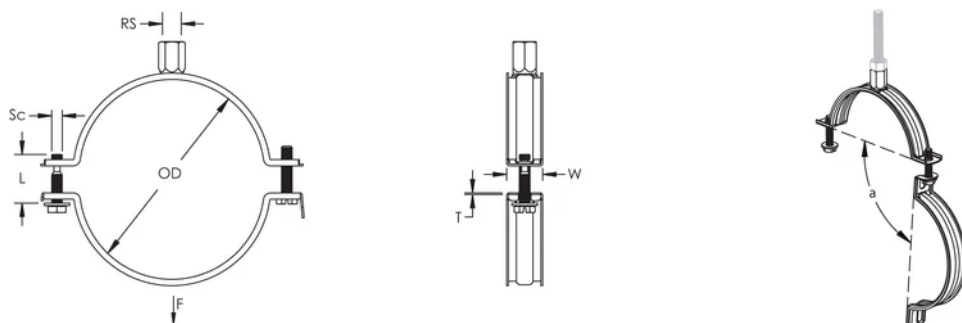
Katalogové číslo	Article Number	Outer Diameter (OD)	Rod Size (RS)	Width (W)	Thickness (T)	Screw Diameter (Sc)
MFVN0100EG	586503	100 mm	M8, M10	20 mm	1 mm	6
MFVN0125EG	586505	125 mm	M8, M10	20 mm	1 mm	6
MFVN0150EG	586507	150 mm	M8, M10	20 mm	1 mm	6
MFVN0160EG	586508	160 mm	M8, M10	20 mm	1 mm	6
MFVN0200EG	586510	200 mm	M8, M10	20 mm	1 mm	6
MFVN0250EG	586512	250 mm	M8, M10	21 mm	1.25 mm	6
MFVN0315EG	586515	315 mm	M8, M10	21 mm	1.25 mm	6
MFVN0355EG	586516	355 mm	M8, M10	21 mm	1.25 mm	6
MFVN0400EG	586517	400 mm	M8, M10	21 mm	1.25 mm	6
MFVN0450EG	586518	450 mm	M8, M10	21 mm	1.5 mm	6
MFVN0500EG	586519	500 mm	M8, M10	21 mm	1.5 mm	6
MFVN0630EG	586522	630 mm	M8, M10	23 mm	1.75 mm	6
MFVN0800EG	586524	800 mm	M8, M10	23 mm	1.75 mm	6
MFVN1000EG	586526	1000 mm	M8, M10	23 mm	2 mm	6

Table 2/2

Katalogové číslo	Article Number	Screw Length (L)	Angle (a)	Static Load	Certifications
MFVN0100EG	586503	27mm	80 °	775N	ITB, RAL-GZ 655
MFVN0125EG	586505	27mm	80 °	775N	ITB, RAL-GZ 655

Katalogové číslo	Article Number	Screw Length (L)	Angle (a)	Static Load	Certifications
MFVN0150EG	586507	40mm	80 °	775N	ITB, RAL-GZ 655
MFVN0160EG	586508	40mm	80 °	775N	RAL-GZ 655, ITB
MFVN0200EG	586510	40mm	80 °	775N	RAL-GZ 655, ITB
MFVN0250EG	586512	40mm	80 °	1000N	RAL-GZ 655, ITB
MFVN0315EG	586515	40mm	80 °	1000N	ITB, RAL-GZ 655
MFVN0355EG	586516	40mm	80 °	1000N	RAL-GZ 655, ITB
MFVN0400EG	586517	40mm	80 °	1000N	ITB, RAL-GZ 655
MFVN0450EG	586518	40mm	80 °	900N	
MFVN0500EG	586519	40mm	80 °	900N	
MFVN0630EG	586522	40mm		1150N	ITB
MFVN0800EG	586524	40mm		1150N	
MFVN1000EG	586526	40mm		1400N	

DIAGRAMS



UPOZORNĚNÍ

Produkty nVent musí být instalovány a používány pouze tak, jak je uvedeno v instrukčních listech a materiálech pro školení nVent. Instrukční listy jsou k dispozici na www.nvent.com a od vašeho zástupce zákaznického servisu nVent. Nesprávná instalace, zneužití, nesprávné použití nebo jiný nedostatek úplného dodržování pokynů a varování nVent může způsobit

selhání produktu, poškození majetku, vážné zranění osob a smrt a/nebo zrušit vaši záruku.

North America

+1.800.753.9221

Option 1 – Customer Care

Option 2 – Technical

Support

Europe

Netherlands:

+31 800-0200135

France:

+33 800 901 793

Europe

Germany:

800 1890272

Other Countries:

+31 13 5835404

APAC

Shanghai:

+ 86 21 2412 1618/19

Sydney:

+61 2 9751 8500



Naše portfolio silných značek:

CADDY

ERICO

HOFFMAN

ILSCO

SCHROFF

TRACHTE

